



CONTRACTOR KING®

Air-Powered Airless Sprayers



PROVEN QUALITY. LEADING TECHNOLOGY.

AEMCO

+966 -11- 21 40 888
marketing@aemco-llc.com
www.aemco-llc.com

جده الدمام الرياض
Riyadh Dammam Jeddah



Genuine People
Genuine Spares
Genuine Service

CONTRACTOR KING®

AIR-POWERED SPRAYER

Introducing the newest member of the King family "The Contractor King!". Designed around single-person mobility and high performance, this affordable line of air-powered sprayers is the perfect addition to every contractor's fleet. Available in 4500, 6000 and 7250 psi, there is a model for every job!

PROVEN KING QUALITY

Anti-icing technology

- Field-proven design virtually eliminates icing to keep you spraying
- Durable aluminium, steel and composite construction for years of service
- Delivers superior finish with limited pulsation, even with multiple guns
- A simple design for easy serviceability
- Oversized porting for maximum air flow

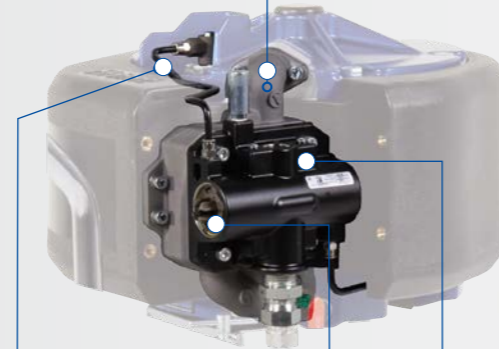
EASY TO MOVE AND TRANSPORT

- Nearly 38 kg lighter than comparable models for easy, one-person handling
- Chrome-plated, welded-steel frame for years of service
- Integrated lifting points for easy positioning on any jobsite
- Flat proof tires resist jobsite debris for maximum convenience



DE-ICE AIR BLEED CONTROL

- Allows air to bleed keeping the system ice-free during heavy icing conditions



EXTERNAL PILOT LINES

- Keeps air lines isolated to prevent icing

MANUAL SHUTTLE RESET BUTTON

- Allows a manual restart in case of ice build-up

PATENTED



**ENDURANCE LOWER FOR QUICK AND EASY
"ON-THE-JOB" PUMP REMOVAL & MAINTENANCE
NOTHING IS FASTER!**

SIMPLE MAINTENANCE

Proven design and performance

- QuickChange™ Endurance pump, for quick and for easy on-the-job pump removal and maintenance
- A Chromex™ rod and stainless steel cylinder for maximum life and performance
- A fleet-friendly design uses the same wear parts as your other King sprayers

Remove the pump in 3 easy steps



- 1** Remove rod coupling, inlet hose and paint hose



- 2** Loosen the jam nut



- 3** Spin pump to remove it

CONTRACTOR KING®

AIR-POWERED SPRAYER

COMFORT MEETS PERFORMANCE INTRODUCING SILVER PLUS™ HP*

A HIGH-PRESSURE, AIRLESS SPRAY GUN

Featuring a compact, durable design and external fluid passages, this legendary design keeps your hand cool, while providing all-day spraying comfort.

- Rated up to 7250 psi
- Up to 35% lighter than other guns in its class
- An easy-pull trigger for all-day comfort
- The durable steel and aluminium design features oversized fluid passages for less pressure loss
- The convenience of a single gun that works with all units in your fleet

* Included with 60:1, 70:1 complete and Big 150 models



BIG 150 "READY-TO-SPRAY" PACKAGES PRECONFIGURED WITH A 45M HOSE FOR THE BIG JOBS!

- All components and a large diameter hose
- Maximise productivity right from the start
- Ultimate for convenience and value
- Available for all Contractor King models

NO MATTER THE JOB, GRACO HAS A KING UNIT FOR YOU

THE KING FAMILY



MODEL	KING E-SERIES	CONTRACTOR KING	KING
INPUT POWER	Electric (120 V / 240 V)	Air	Air
PORTABILITY	★ ★ ★	★ ★ ★ ★ ★	★ ★ ★
PUMP LOWER	Xtreme	Endurance	Xtreme
EASE OF MAINTENANCE	★ ★ ★ ★	★ ★ ★ ★ ★	★ ★ ★ ★
TOOLBOX	Yes	No	Yes
GUN	XTR+ gun with filter	Silver Plus HP gun* without filter	XTR+ gun with filter

* The Contractor King 45:1 unit is delivered with the Silver Plus gun

FOR CONTRACTORS LOOKING TO MAXIMISE PRODUCTIVITY AND PORTABILITY

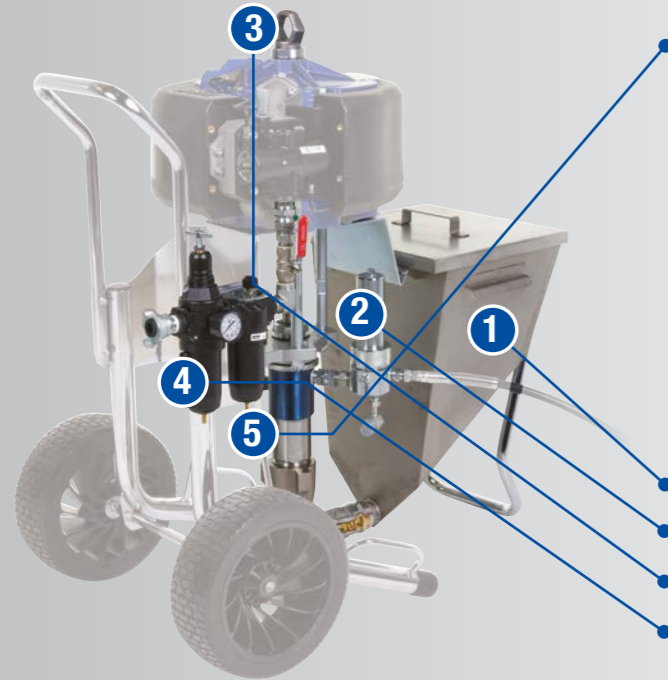


SCAN FOR MORE INFORMATION AT
GRACO.COM/CONTRACTORKING

CONTRACTOR KING®

AIR-POWERED SPRAYER

BUILD IT THE WAY YOU NEED IT, WITH THESE GREAT ACCESSORIES!



LOWERS	
19D954	45:1 lower kit (290 cc)
19D952	60:1 lower kit (220 cc)
19D951	70:1 lower kit (180 cc)
GUNS	
273329	Silver Plus gun, 2-finger trigger (5000 psi)
273346	Silver Plus gun, 4-finger trigger (5000 psi)
273334	Silver Plus HP gun, 2-finger trigger (7250 psi)
273335	Silver Plus HP gun, 4-finger trigger (7250 psi)
OTHERS	
25B619	Stainless steel hopper kit
16V583	Paint outlet filter kit
19D953	Lift ring kit
19D955	Air filter and lubricator kit
236987	1/4" NPSM female/male swivel (7250 psi)
184278	Packing nut wrench tool
18F785	Heater mounting kit

GUN, HOSE AND TIP KIT

19D624	15m hose, whip hose, 2-finger trigger Silver Plus gun (4500 psi)
19D646	45m hose, whip hose, 2-finger trigger Silver Plus gun (4500 psi)
19D626	15m hose, whip hose, 4-finger trigger Silver Plus gun (4500 psi)
19D650	45m hose, whip hose, 4-finger trigger Silver Plus gun (4500 psi)
19D625	15m hose, whip hose, 2-finger trigger Silver Plus HP gun (7250 psi)
19D647	45m hose, whip hose, 2-finger trigger Silver Plus HP gun (7250 psi)
19D627	15m hose, whip hose, 4-finger trigger Silver Plus HP gun (7250 psi)
19D651	45m hose, whip hose, 4-finger trigger Silver Plus HP gun (7250 psi)

MATERIAL HOSES

H42506	1/4" x 1.8m whip hose (4500 psi)
H72506	1/4" x 1.8m whip hose (7250 psi)
H43850	3/8" x 15m hose (4500 psi)
H73850	3/8" x 15m hose (7250 psi)



TECHNICAL SPECIFICATIONS ALL UNITS SHIP COMPLETE AND READY TO SPRAY:



* Complete and Big 150 package only.
 ** The included gun depends on the selected unit package.
 *** The Big 150 packages include 3 hoses, providing 45m of hose.

MODEL	45 : 1	60 : 1	70 : 1	
Part number	Bare	279005	279010	279013
	Complete (2-F gun)	279006	279011	279014
	Complete (4-F gun)	279026	279028	279030
	Big 150 (2-F gun)	279007	279012	279022
	Big 150 (4-F gun)	279027	279029	279031
Max. Flow - l/min (gpm)	17.4 (4.6)	12.8 (3.4)	10.9 (2.9)	
Max. Fluid operating pressure - bar (psi)	310 (4500)	415 (6000)	500 (7250)	
Max. Air operating pressure - bar (psi)	7 (100)	7 (100)	7 (100)	
Air motor	XL6500	XL6500	XL6500	
Lower output per cycle - cc	290	220	180	
Weight - kg (lbs)	65 (142)	67 (147)	68 (149)	
FEATURES				
Anti-icing technology	✓	✓	✓	
Portable, durable design	✓	✓	✓	
Pump type	Endurance QuickChange	Endurance QuickChange	Endurance QuickChange	
Piston rod	Chromex	Chromex	Chromex	
Sleeve	SST	SST	SST	
Packing	UHMWPE/leather	UHMWPE/leather	UHMWPE/leather	
External filter	Optional	Optional	Optional	
Hopper	Optional	Optional	Optional	
COMPOSITION*				
Tips	XHD417 + XHD519	XHD417 + XHD519	XHD417 + XHD519	
Guard	XHD (XHD001)	XHD (XHD001)	XHD (XHD001)	
Gun**	Silver Plus, 2-F (273329)	Silver Plus HP, 2-F (273334)	Silver Plus HP, 2-F (273334)	
	Silver Plus, 4-F (273346)	Silver Plus HP, 4-F (273335)	Silver Plus HP, 4-F (273335)	
Hose***	3/8" x 15m (H73850)	3/8" x 15m (H73850)	3/8" x 15m (H73850)	
Whip hose	1/4" x 1.8m (H72506)	1/4" x 1.8m (H72506)	1/4" x 1.8m (H72506)	
Toolbox	N/A	N/A	N/A	
MANUAL				
	3A9121	3A9121	3A9121	



ABOUT GRACO

Founded in 1926, Graco is a world leader in fluid handling systems and components. Graco products move, measure, control, dispense and apply a wide range of fluids and viscous materials used in vehicle lubrication, commercial and industrial settings.

The company's success is based on its unwavering commitment to technical excellence, world-class manufacturing and unparalleled customer service. Working closely with qualified distributors, Graco offers systems, products and technology that set the quality standard in a wide range of fluid handling solutions. Graco provides equipment for spray finishing, protective coating, paint circulation, lubrication, and dispensing sealants and adhesives, along with power application equipment for the contractor industry. Graco's ongoing investment in fluid management and control will continue to provide innovative solutions to a diverse global market.

ABOUT AEMCO

AEMCO was established in 2007 as an organization focused to increase professionalism and productivity in the arena of coating and surface preparation across the Kingdom of Saudi Arabia. Latest trends and technologies in coating industry were made available from AEMCO to our professional end users to achieve quality results and satisfaction. We started our operations in Riyadh and expanded to Central, Eastern, Western and Northern Region of the Kingdom.

نبذة عن الشركة:

تأسست شركة إيمكو في عام ٢٠٠٧ لتكون شركة تركز على زيادة الاحترافية والإنتاجية في ميدان الطلاء وتجهيز الأسطح للدهان في المملكة العربية السعودية. وفرت شركة إيمكو أحدث أساليب التقنية في مجال تنفيذ الطلاء لعملائنا المحترفين في صناعة تنفيذ الطلاء للوصول الى نتائج مبهرة ومرضية. بدأنا عملياتنا في الرياض وتطورت لتصل الى المنطقة الوسطى، المنطقة الشرقية، المنطقة الغربية والمنطقة الشمالية من المملكة العربية السعودية.

AEMCO LOCATIONS

RIYADH	DAMMAM	JEDDAH
Second Ring Road, Near Morni, As Sulay, Riyadh:14285, KSA Tel: +966 11 2140888	King Abdul Aziz Road, Opp.DHL Head Office, Thuqba Area , Al-Khobar KSA. Tel: +966 13 8021334	Prince Abdul Majeed Road, North Obhur. Al Shera'a District, Jeddah: 23814, KSA Tel: +966 11 2637048

All written and visual data contained in this document is based on the latest product information available at the time of publication. Graco reserves the right to make changes at any time without notice.

.. Graco Distribution BV 3J0336ENEU-A 08/22 Printed in Europe 2022©

AEMCO

+966 -11- 21 40 888
marketing@aemco-llc.com
www.aemco-llc.com

جده الدمام الرياض
Riyadh Damman Jeddah



Genuine People
Genuine Spares
Genuine Service